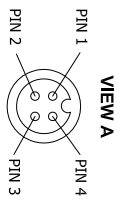
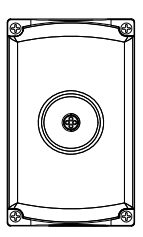
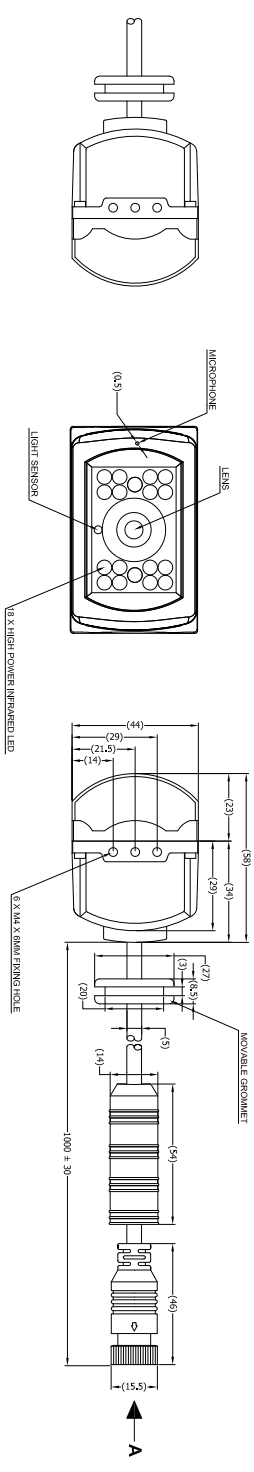
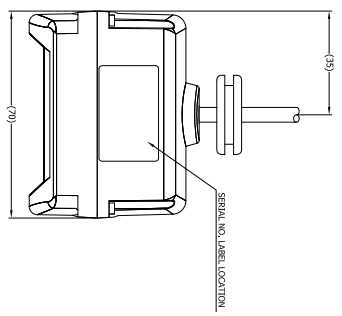
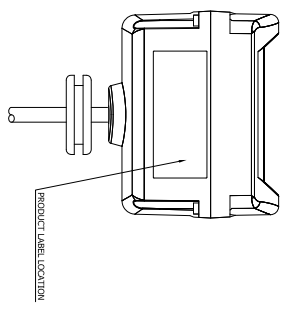


Revision Notes			
R1 -			
APPA -	Drawn -	Checked -	Approved -
			Date -



PIN #	WIRE COLOUR	DESCRIPTION
1	RED	1.2 VCC
2	BLACK	GROUND
3	WHITE	AUDIO
4	YELLOW	VIDEO



- NOTES:**
1. FINISH IS BLACK.
 2. FOR PRODUCT LABEL REFER TO LATEST REVISION OF DRAWING BE-002477-XX-13.
 3. FOR PRODUCT SERIAL NUMBER LABEL REFER TO LATEST REVISION OF DRAWING BE-001323-XX-10.

PROPRIETARY NOTICE
 THIS DESIGN AND TECHNICAL INFORMATION APPEARING ON THIS DRAWING IS THE PROPERTY OF BRIGADE ELECTRONICS, AND IS DISCLOSED IN CONFIDENCE. IT IS NOT TO BE COPIED, REPRODUCED, REVEALED TO OR EXPLOITED BY OTHERS, EITHER IN WHOLE OR IN PART WITHOUT THE EXPRESS WRITTEN CONSENT OF BRIGADE ELECTRONICS.



Assembly Pl Approval XINYU HUANG (17/06/13)		Approved by B. JOHN		Checked by B. CHILDS		Drawn by M. BUTLER	
Angle of Projection Third Angle		Units mm	Scale N/A	Released 17/06/13	Assembly Ref 13201002063		
Status RELEASED		VBV-700C-C					
Part No 3188C		BE-002476-00-13					

